

CODE

402725

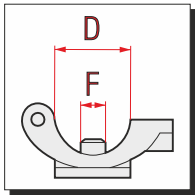
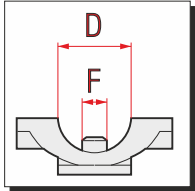
SWI VALVE CLAMP UNIGET DIAMETER 20MM F 7

**NOZZLE HOLDERS SINGLE NOZZLE HOLDER**

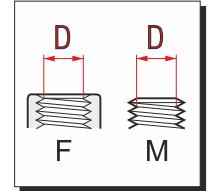
Hinged clamp type nozzle holder with diaphragm check valve and quick coupling (cap not included)



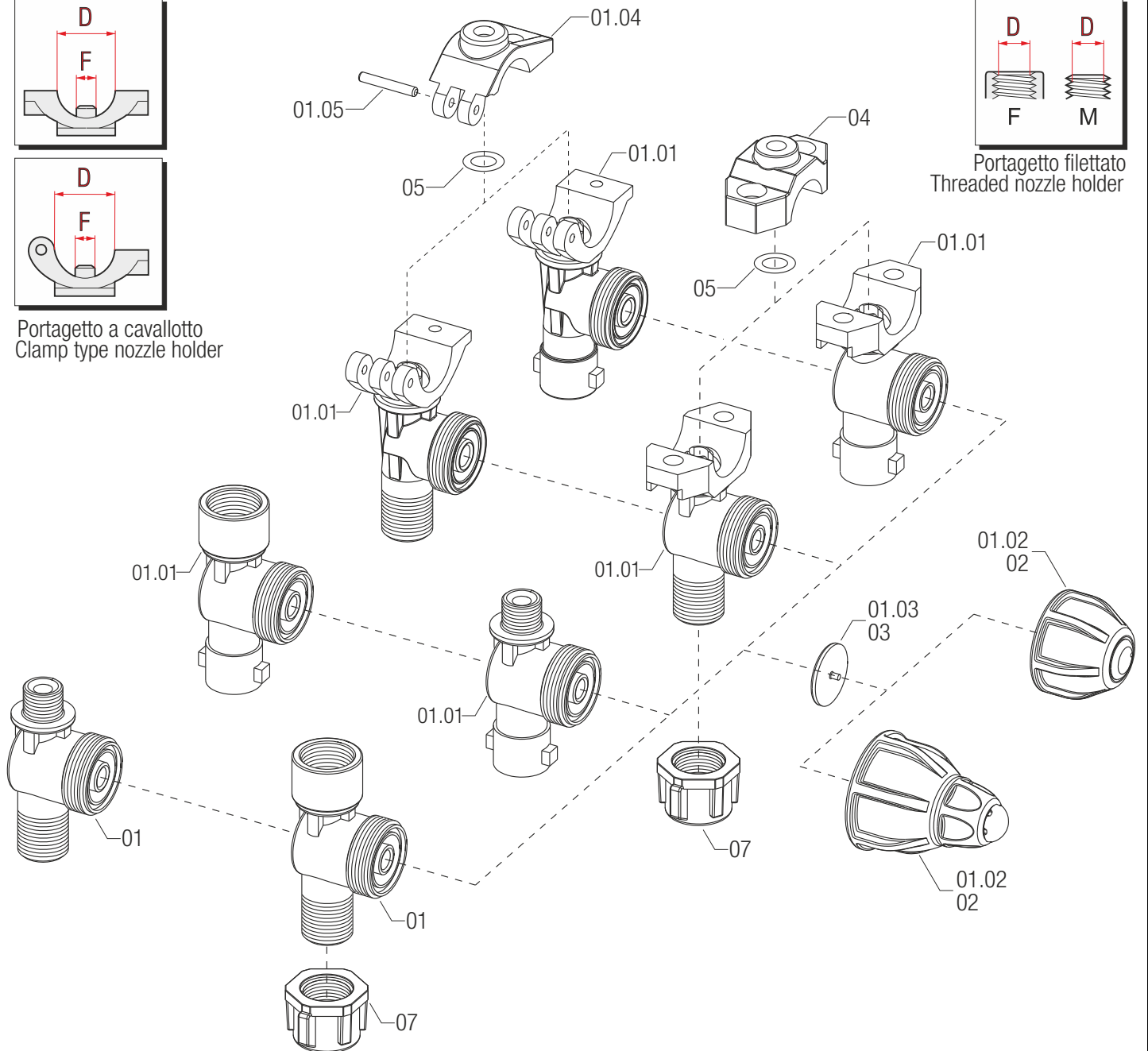
SPARE PARTS



Portagetto a cavalletto  
Clamp type nozzle holder



Portagetto filettato  
Threaded nozzle holder



REFERENCE	CODE	DESCRIPTION
05	400020.030	GASKET (OR) 6X2,5 X NOZZLE HOLDER