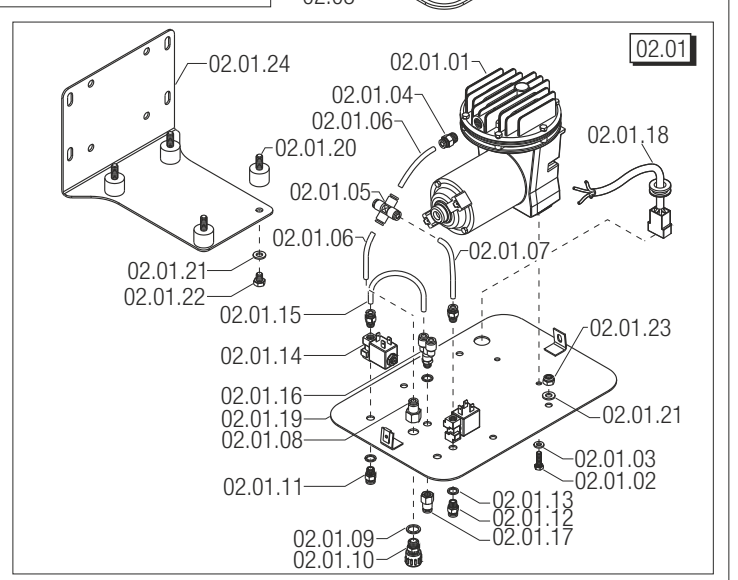
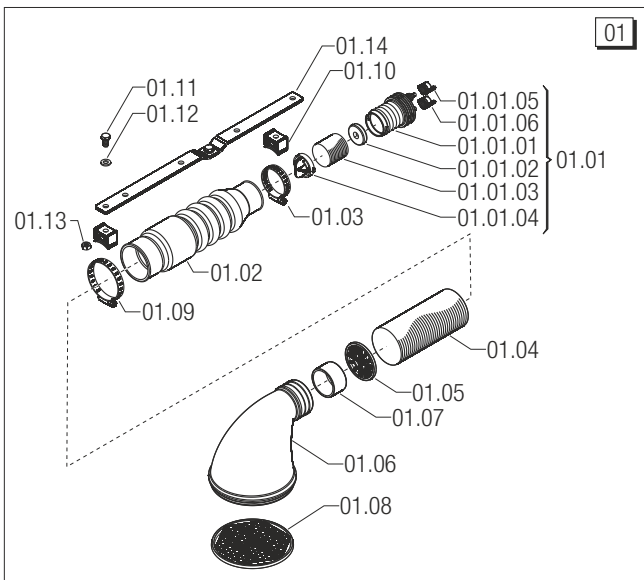
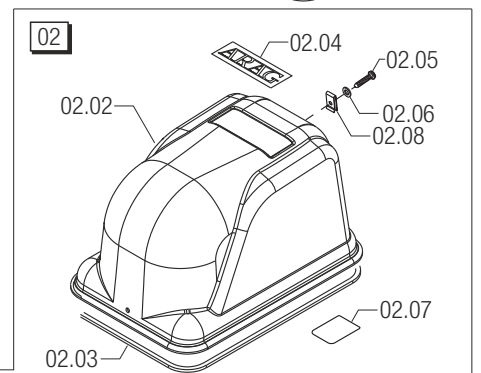
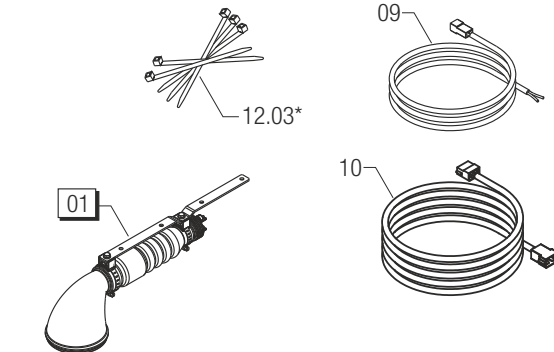
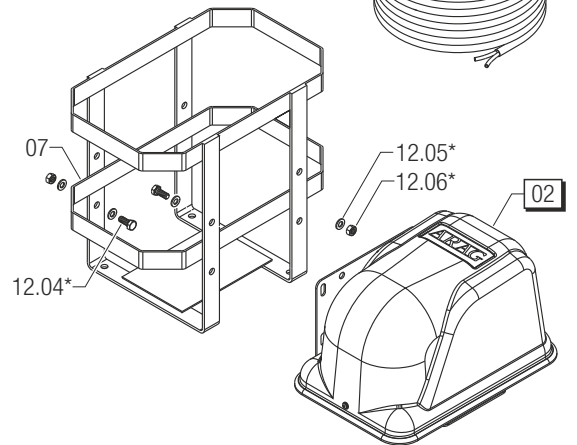
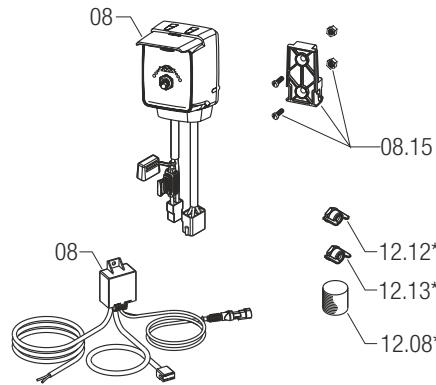
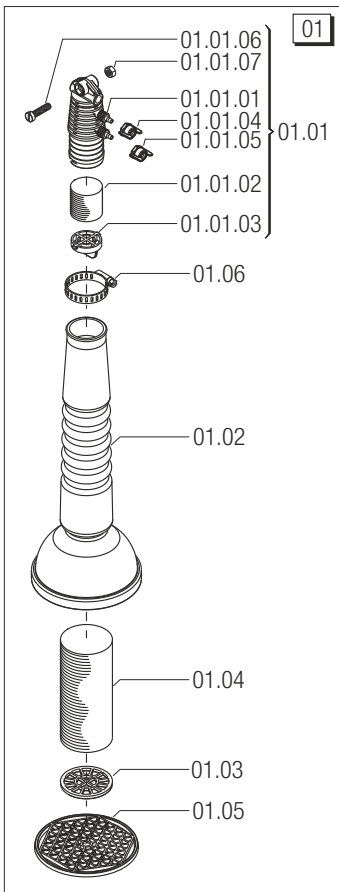
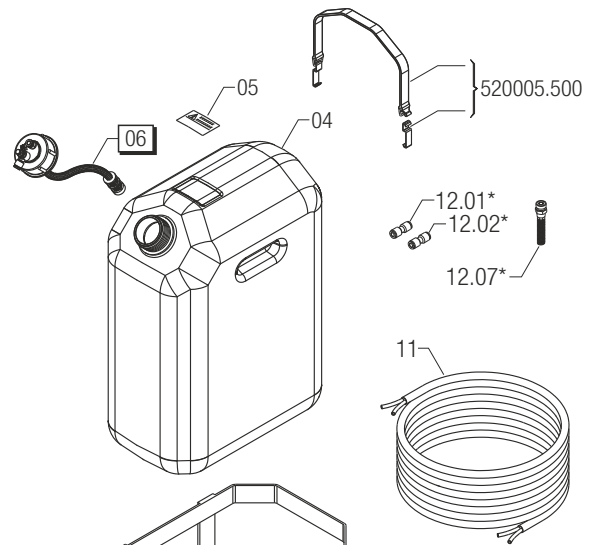
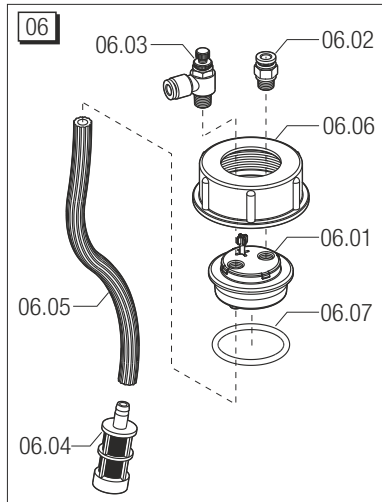
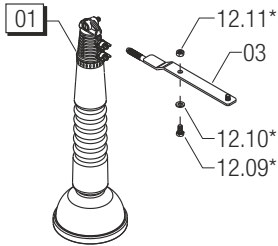


12
*Kit accessori / ricambi
*Accessories / parts kits



CODE

ROW MARKER

520005

FOAM MARKER
Automatic Foam Maker

SPARE PARTS

REFERENCE	CODE	DESCRIPTION	REFERENCE	CODE	DESCRIPTION
01	520004.262	COMPLETE LONG DIFFUSER	12.05	B201H0	FLAT WASHER 8,4X16X1,6 ZNB
01.01	520004.191	ASSEMBLED NOZZLE BODY D4 GREY MOUNT	12.06	B10151	NUT M 8X13X6,5 ZNB UNI5588
01.01.01	520004.151	FOAM GENERATOR BODY D.4	12.07	520002.480	NUT C/W SPRING 6X4
01.01.02	520000.160	NOZZLE SPONGE	12.08	520000.160	NOZZLE SPONGE
01.01.03	520004.180	LOCKING NUT	12.09	V1M14E	SCREW TE 6X12 FE ZNB
01.01.04	520005.403	NUT 1/8" BLUE	12.10	B201F0	FL. WASHER 6,4X12,5X1,6 ZNB UNI6592
01.01.05	520005.404	NUT 1/8" WHITE	12.11	B10141	NUT M 6X10X5 ZNB UNI5588
01.01.06	V1A14I	SCREW TCI 6X20 FE-ZN	12.12	520005.403	NUT 1/8" BLUE
01.01.07	B10141	NUT M 6X10X5 ZNB UNI5588	12.13	520005.404	NUT 1/8" WHITE
01.02	520004.210	MANIFOLD FOR DIFFUSER			
01.03	520004.292	INSIDE GRID FOAM MARKER DIFFUSER			
01.04	520004.220	DIFFUSER SPONGE 10PPI			
01.05	520000.291	NOZZLE NET			
01.06	520000.200	CLAMP 25-40 AB INOX			
02	520005.060	COMPLETE COMPRESSOR			
02.01	520005.910	GRUPPO COMPR.TRACCIAF.ARAG S/COFANO			
02.01.01	520005.080	FOAM MARKER COMPRESSOR			
02.01.02	V1M14I	SCREW TE 6X20 FE-ZN			
02.01.03	B201F0	FL. WASHER 6,4X12,5X1,6 ZNB UNI6592			
02.01.04	520005.470	STRAIGHT QUICK FITT.1/4" M D.6 WHITE			
02.01.05	520005.410	4-WAY QUICK FITTING D.6 WHITE			
02.01.06	520005.364	HOSE PE 6X4 L=0,100MT WHITE			
02.01.07	520005.365	HOSE PE 6X4 L=0,125MT WHITE			
02.01.08	520005.480	STRAIGHT QUICK FITT.1/4" F D.6 WHITE			
02.01.09	B20800	COPPER WASHER 1/4"			
02.01.10	520002.625	HOSETAIL 1/4"			
02.01.11	520005.405	STRAIGHT QUICK FIT. 1/8" M D.6 BLUE			
02.01.12	520005.401	STRAIGHT QUICK FIT. 1/8" D.6 WHITE			
02.01.13	520004.407	ALUMINIUM PLATE D.10 3X14X1,5			
02.01.14	520002.580	ELECTROVALVE 1/8" M-M			
02.01.15	520005.362	HOSE PE 6X4 L=0,180MT BLUE			
02.01.16	520005.450	3 WAY QUICK FITTING 1/8" M D.6 BLUE			
02.01.17	520005.460	STRAIGHT QUICK FITT.1/8" F D.6 BLUE			
02.01.18	520005.100	INNER CABLE FOR FOAM MARKER			
02.01.19	520005.650	FOAM MARKER COMPRESSOR BASE			
02.01.20	520005.670	SILENT BLOCK D.25 H=20 M/F M8			
02.01.21	B201H0	FLAT WASHER 8,4X16X1,6 ZNB			
02.01.22	V1M15D	SCREW TE M8X10 FE ZNB			
02.01.23	B12151	SELF-LOCKING NUT M8 FE-ZN UNI7474			
02.01.24	520005.660	COMPRESSOR SUPPORT			
02.02	520005.010	RED ROUNDED COVER FOR COMPRESSOR			
02.03	520004.651	COMPRESSOR SUPPORT GASKET			
02.04	520004.761	LABEL C/W LOGO			
02.05	V2B24H	SELF THREAD. SCREW 4,2X22 * INOX			
02.06	B202E0	FLAT WASHER 5,3X10X1 UNI6592 * INOX			
02.07	520004.765	ETICH.TRACCIAFILE MARCHIO CE 40X30			
02.08	520005.640	GALVANISED ELASTIC PLATE 4,2			
03	520005.230	VERTICAL GENERATOR SUPPORT			
04	520005.310	FOAM MARKER TANK			
05	520004.760	TANK LABEL			
06	520005.390	COMPLETE KIT PLUG KIT			
06.01	520005.340	PRE-ASSEMBLED PLUG KIT			
06.02	520005.401	STRAIGHT QUICK FIT. 1/8" D.6 WHITE			
06.03	520005.550	FLOW REGULATOR 1/8" M D.6 BLUE			
06.04	305008	SUCTION FILTER D.8			
06.05	520002.360	BLUE PVC HOSE D. 5,5			
06.06	520000.330	BLACK FLY NUT			
06.07	G10052	OR 3,53X39,69 EPDM			
07	520005.320	BASKET SUPPORT FOR TANK			
08	520005.800	SCATOLA COMPATTA TRACCIAFILE			
08.15	467005.510	BRACKET SUPPORT KIT			
08.15.01	B12141	SELF-LOCKING NUT M6 FE-ZN UNI7474			
08.15.02	V1F34L	SCREW TSPEI 6X30 UNI 5933 GALV.			
08.15.03	4673000.060	SUPPORT ROD FOR BOX LCD			
09	520005.101	FEEDING CABLE 2 MT.			
10	520000.410	SWITCH CABLE 5MT FOR FOAM MARKER			
11	520000.751	HOSE MT. 33			
12	520005.745	FOAM MARKER SPARE PARTS KIT			
12.01	520005.352	QUICK FITTING D.6 BLUE			
12.02	520005.353	QUICK FITTING D.6 WHITE			
12.03	520004.780	CLAMP 203X3,6MM			
12.04	V1M15I	SCREW TE 8X20 FE ZNB			